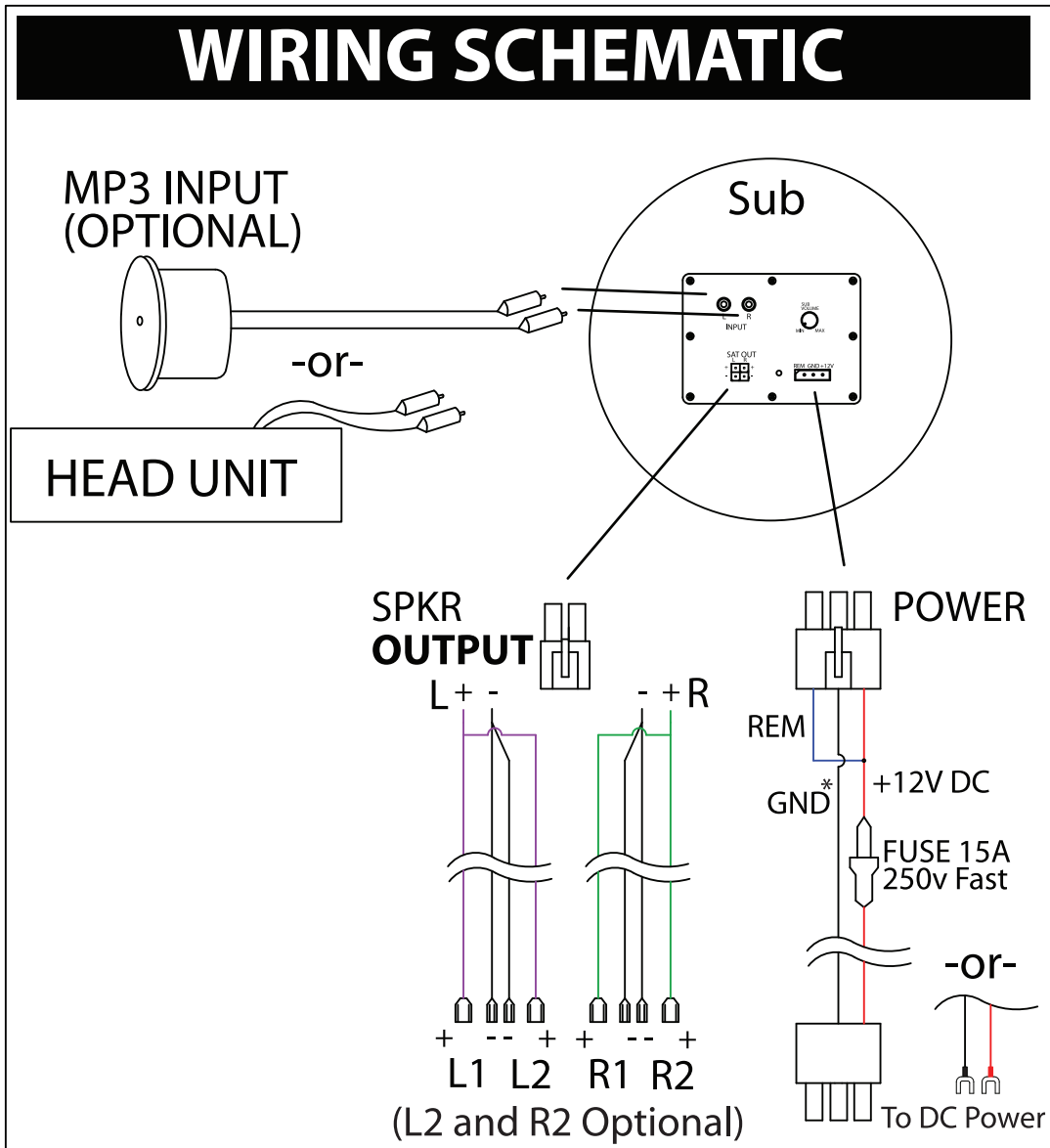
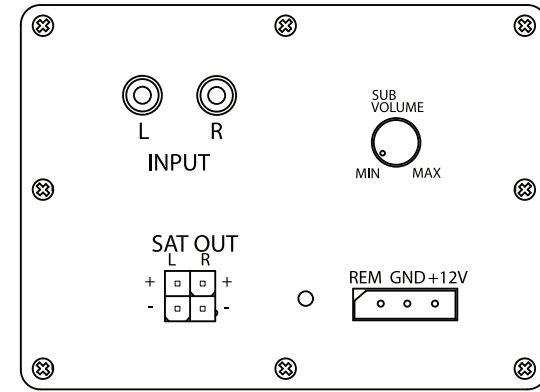


WIRING SCHEMATIC



AMP PANEL



**ACTIVE
(POWERED)**

Note: REM (REMOte - blue wire) is jumpered to +12V if not using a head unit. See schematic above.

Connect +12V and GND* to DC POWER SUPPLY. Green light indicates proper power. **RECOMMENDED -SETTING- Sub Volume: 90% (3 o'clock)**

INPUT OPTIONS:

1. Use FRONT or REAR channel (L,R) RCA LOW LEVEL OUTPUTS from a head unit OR 3.5mm headphone jack to RCA OUTPUTS from MP3, IPOD, or portable AM/FM/CD player into LINE IN on SUB AMP.

OUTPUT:

1. Use supplied cable to connect satellite speakers. Speaker load should be > 3 ohms per channel.

HOUSINGS WITH MP3/IPOD INPUTS AVAILABLE SEPARATELY.

* IF ANY NOISE ISSUES, TRY CONNECTING THE DC GROUND ALSO TO THE AC GROUND OF THE SPA POWER PAK.

