

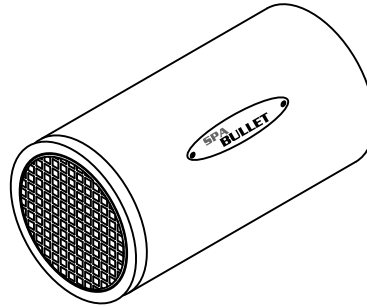
R2/CP-S80 SUB
REFERENCE



CS-P80 PASSIVE SUBWOOFER

PASSIVE SUBWOOFER SPECS (CS-P80)

- 120W max power
- 8" Dual Voice Coil Woofer
- Speaker Sensitivity: 93 dB
- Frequency Response: 45 - 250 Hz
- Speaker Wire L/R INPUTS/OUTPUTS
- Mounting Feet/Strapping Included



15.5" Version

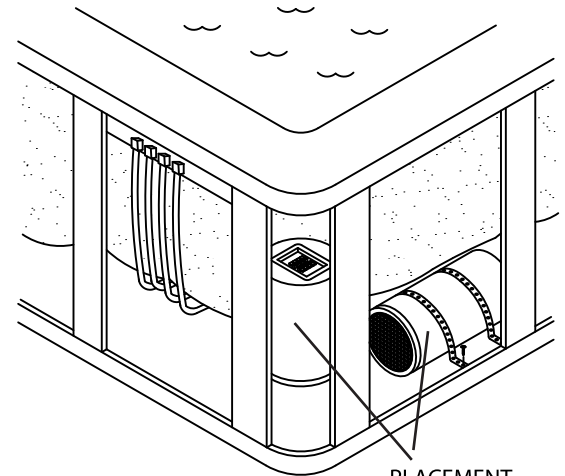


PASSIVE SUB

CS-P80A150R2 POWER SUBWOOFER

POWERED SUBWOOFER SPECS (CS-P80A150R2)

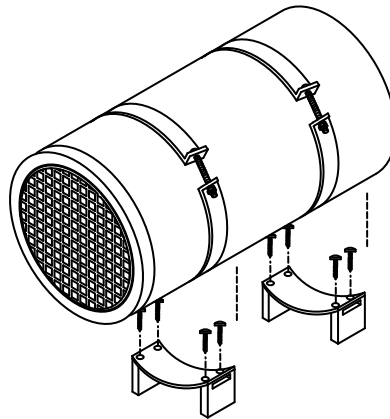
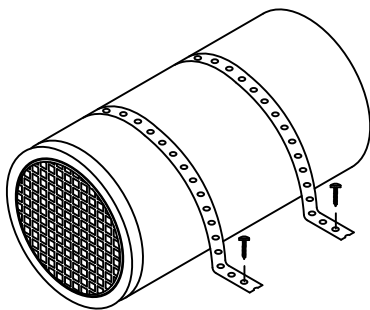
- 150Wmax
- 8" Woofer
- Speaker Sensitivity: 93dB
- Frequency Response - 45Hz - 250Hz, adjustable cut-off freq
- Dimensions: 8.5" round by 15.5" long
- High Performance Amp with treated PCB for ultra reliability
- Includes Strapping and Mounting Feet



PLACEMENT
OPTIONS

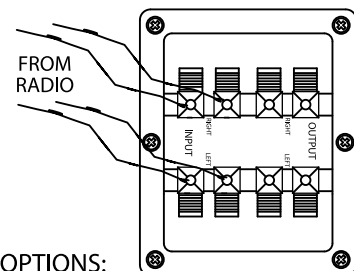


R2 AMPLIFIER



STRAPPING, MOUNTING FEET, and MOUNTING HARDWARE IS INCLUDED. PLASTIC MOUNTING BASE AVAILABLE SEPARATELY.

SUBWOOFER WIRING

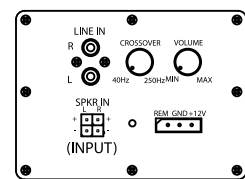


PASSIVE

OPTIONS:

1. Use REAR channel (L,R) WIRES from head unit into SUB INPUTS (L,R) listed on sub terminal. -or-
2. Use FRONT channel (L,R) WIRES from head unit into SUB INPUTS (L,R) listed on sub terminal. Connect SPA SPKR to OUTPUTS (L,R) listed on sub terminals.

Connect REM to REM OF HEAD UNIT and/or CONTROLLER.
RECOMMENDED -SETTINGS-
Crossover: 180 Hz (2 o'clock)
Volume: 80% (3 o'clock)



ACTIVE
(POWERED)

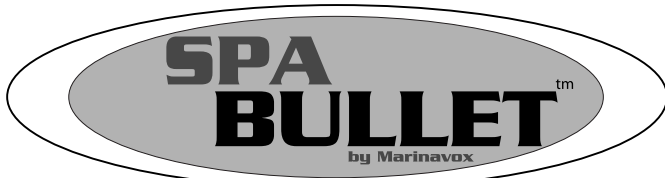
INPUT OPTIONS:

1. Use SUBWOOFER RCA PLUG or FRONT channel (L,R) RCA PLUGS from head unit into SUB LINE IN (L,R) using optional cable. -or-
2. Use FRONT or REAR channel (L,R) SPEAKER WIRES from head unit into SPKR IN on SUB AMP.

!ATTENTION!

- Always test the performance of the subwoofer with the spa skirt/sides in place. Otherwise, poor bass performance may result.
- Although rare, please report all subwoofer damages from shipping immediately so that a claim may be made with the carrier. Do not use if there appears to be anything loose inside the subwoofer unit.
- Please call our Troubleshooting Hotline with any questions or suggestions at 1-704-658-9617.

Rev D. 07/12



www.vidsonix.com www.marinavox.com
www.RsubZ.com