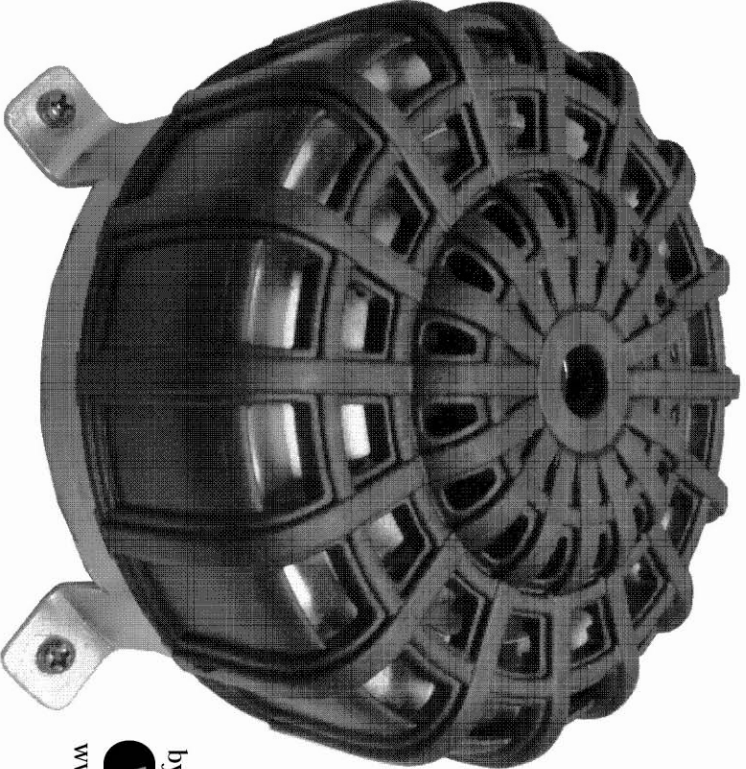


OMEGA-XPL7



by
Vidsonix
www.vidsonix.com

UNIVERSAL LOW FREQUENCY TRANSDUCER

OMEGA-XPL7

UNIVERSAL LOW FREQUENCY TRANSDUCER

SPECIFICATIONS:

- Max Power: 60W, RMS Power: 18W
- 4.25" Diameter x 2.5" Height
- Mounting footprint required: 5.5" x 5.5"
- Freq Response: 20Hz~300Hz
- Impedance: 8 ohms
- Fused Input (1.5A, fast blow) max
- Contents: Omega-XLP7 unit, 4 mounting screws.

INSTALLATION:

- Attach base to a flat, solid surface with the provided mounting screws. Wood surfaces such as plywood or Douglas Fir are good options.
- Make sure unit has at least 1/2" space clearance all around for adequate air ventilation.
- Unit can be mounted horizontally or vertically.
- Red (+), Blk (-)

!CAUTION!

-CASING GETS HOT-
USE WITH SPACER CAP AND
ADEQUATE VENTILATION

Distributed by:

VIDSONIX DESIGN WORKS
508 Performance Rd.
Moorestville, NC 28115